



# TECHNICAL DATASHEET

## BF 600

**CONTACT US:**

1 Grande rue  
54540 MONTIGNY, France  
Tel: +33 3 83 42 15 79



[WWW.PLAISANCE-EQUIPEMENTS.COM](http://WWW.PLAISANCE-EQUIPEMENTS.COM)

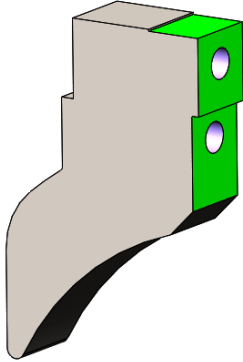
# BF 600

## GENERAL INFORMATION

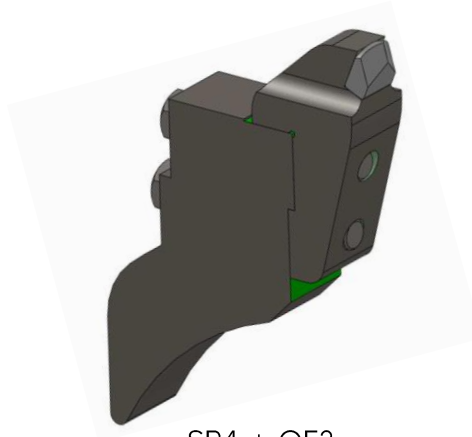
<b>Rotor widths</b>	2 m	2,2 m
<b>Rotor diameter</b>	600 mm	
<b>Use</b>	Forestry mulching	
<b>Teeth</b>	Simple or double carbide tips + side teeth	
<b>Teeth position on the rotor</b>	Fixed - Helical and V positions	
<b>Engine power</b>	200 to 320 hp	
<b>Side belt transmission to rotor</b>	6 V-belts by side	
<b>Curtain of chains</b>	Anti-projection double curtain of chains	
<b>Hydraulic rake</b>	With two cylinders (public works)	
<b>Protection door</b>	With two cylinders (public works)	
<b>Frame</b>	Strengthen - High tensile steel	
<b>Rolling</b>	Heavy duty roller bearings with double rows of rollers. Setted up in precision-cut steel bearings	
<b>Rotor axis</b>	Bolted shaft	
<b>Skids</b>	HARDOX 450® soles Adjustable in 3 positions : + 45 mm / 0 mm / - 45 mm	
<b>Protections</b>	Anti-wire cut in mass, bolted and interchangeable	
<b>Gearbox</b>	400 hp	
<b>Hitch</b>	2 <sup>nd</sup> and 3 <sup>rd</sup> hydraulic point	

# SIMPLE CARB TIP TEETH

## HOLDERS



SP4



SP4 + OF3

## TEETH



Wood tool  
 Simple carb tip

OF3  
 85 to 100 teeth



Wood tool  
 Simple carb tip

OF8  
 85 to 100 teeth

## SIDE TEETH



Side tool  
 Double carb tip

OFL1  
 2 side teeth



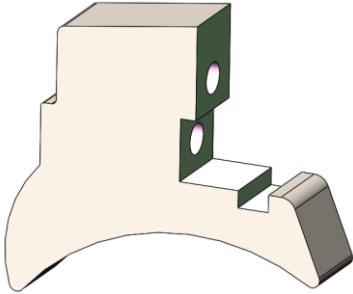
Side tool  
 Quadruple carb tip

OFL2  
 2 side teeth

*Our side teeth are the same on the left and right.*

# DOUBLE CARB TIP TEETH

## HOLDERS



SP14



SP14 + OF7

## TEETH



Wood tool  
 Double carb tip

OF7  
 40 to 45 teeth



Stone tool  
 Double carb tip

OM4  
 40 to 45 teeth

## SIDE TEETH



Side tool  
 Double carb tip

OFL3  
 2 side teeth

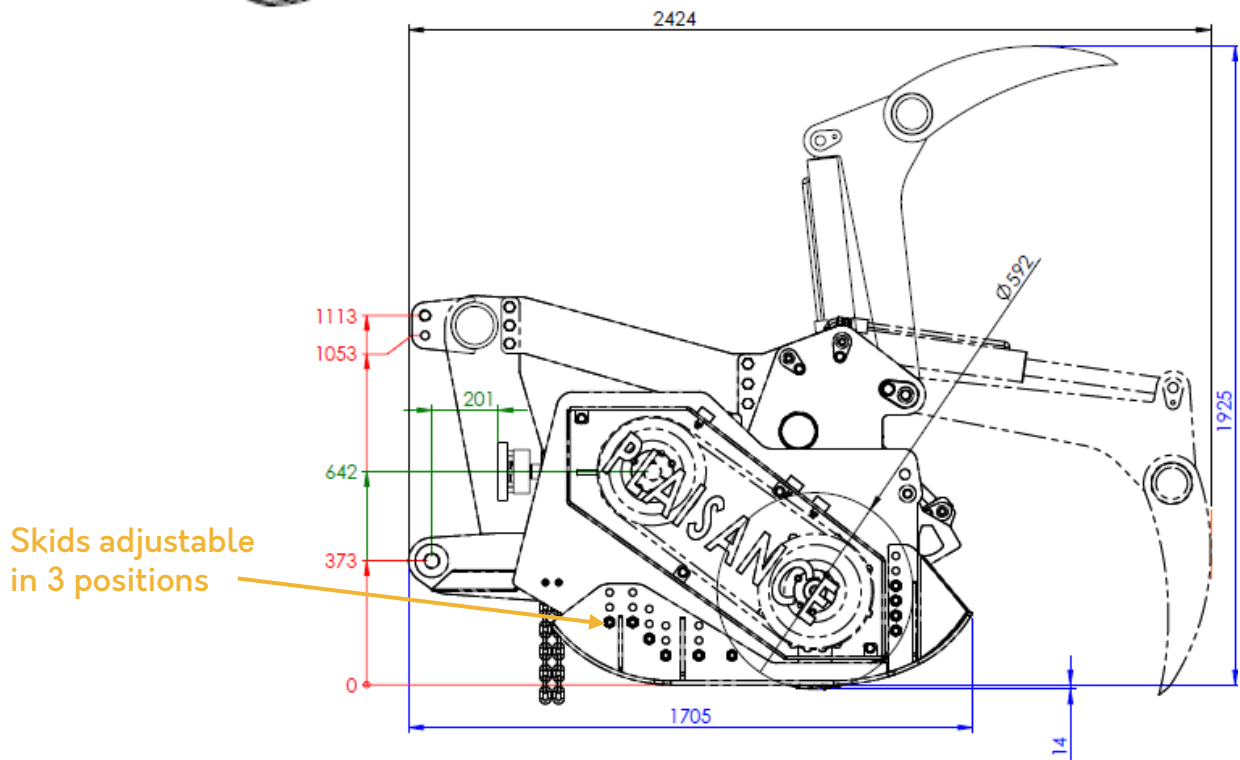
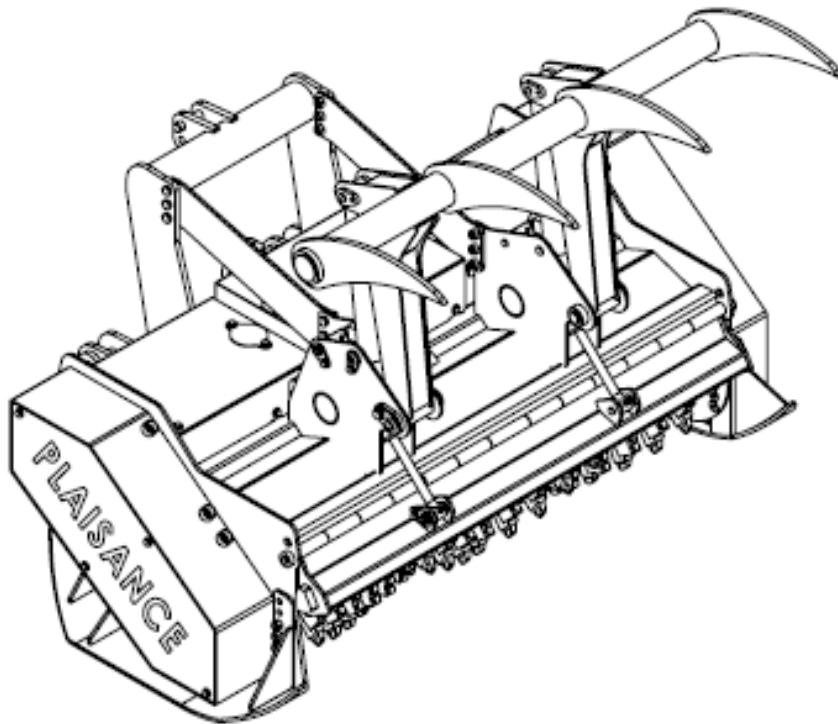


Side tool  
 Quadruple carb tip

OFL4  
 2 side teeth

*Our side teeth are the same on the left and right.*

## PLAN AND DIMENSIONS



Illustrations and dimensions are for guidance only.  
 PLAISANCE EQUIPEMENTS reserves the right to modify them without notice.  
 This plan is the property of PLAISANCE EQUIPEMENTS and may not be reproduced or  
 transmitted without permission.  
 All rights reserved

## **RAKES AND DOOR**



Rakes raised – Door closed



Rakes raised – Door opened

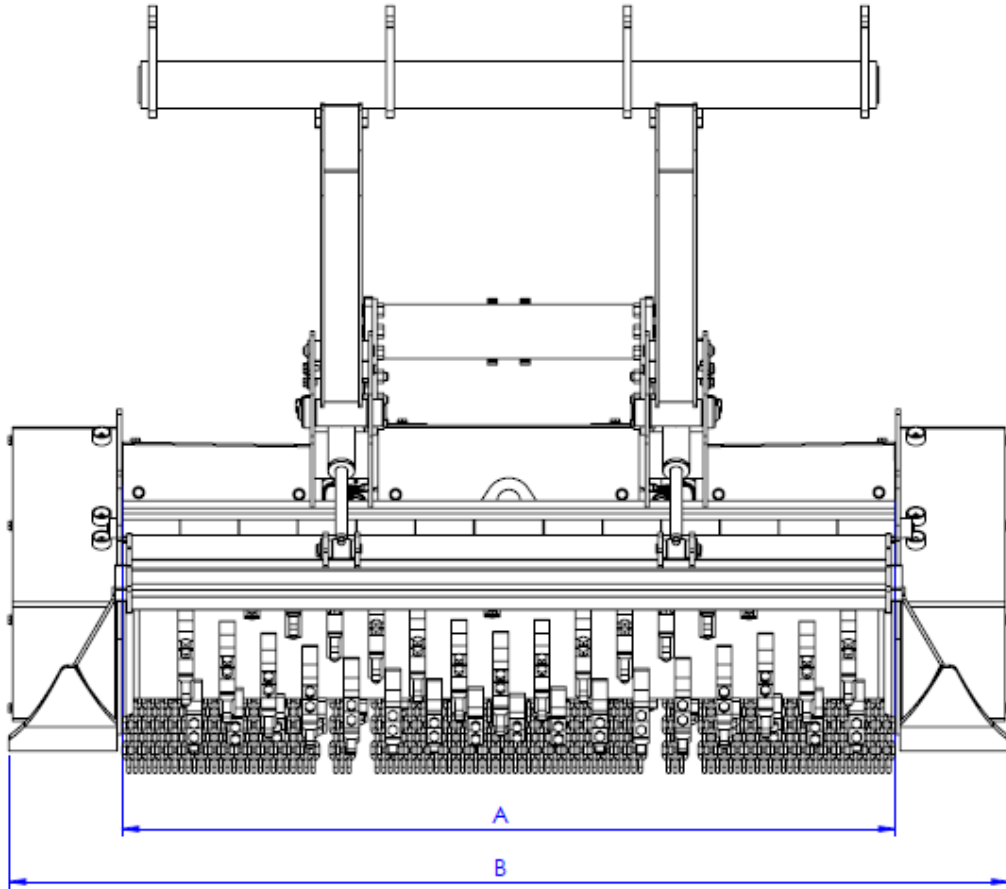


Rakes lowered – Door closed



Rakes lowered – Door opened

## WEIGHT AND DIMENSIONS (kg and mm)



<b>Working width (A)</b>	<b>Overall width (B)</b>	<b>Weight</b>
2000 mm	2586 mm	2514 kg
2200 mm	2786 mm	2805 kg

Illustrations and dimensions are for indication only.  
 PLAISANCE EQUIPEMENTS reserves the right to modify them without notice.  
 This plan is the property of PLAISANCE EQUIPEMENTS and may not be reproduced or  
 communicated without permission.  
 All rights reserved

